

型号识别 Model identification

GD - 50 - SK 5 5 V F B

① ② ③ ④ ⑤ ⑥ ⑦ ⑧

① 系列代码 Series Symbol	GD
② 出口口径 In-Outlet size	40:1.5" 50:2" 65:2.5" 80:3" 100:4"
③ 比重 Specific Weight	SK-1.1 SP-1.4
④ 马力 Motor Power	1:1HP 2:2HP 3:3HP 5:5HP 7.5:7.5HP 10:10HP 15:15HP 20:20HP

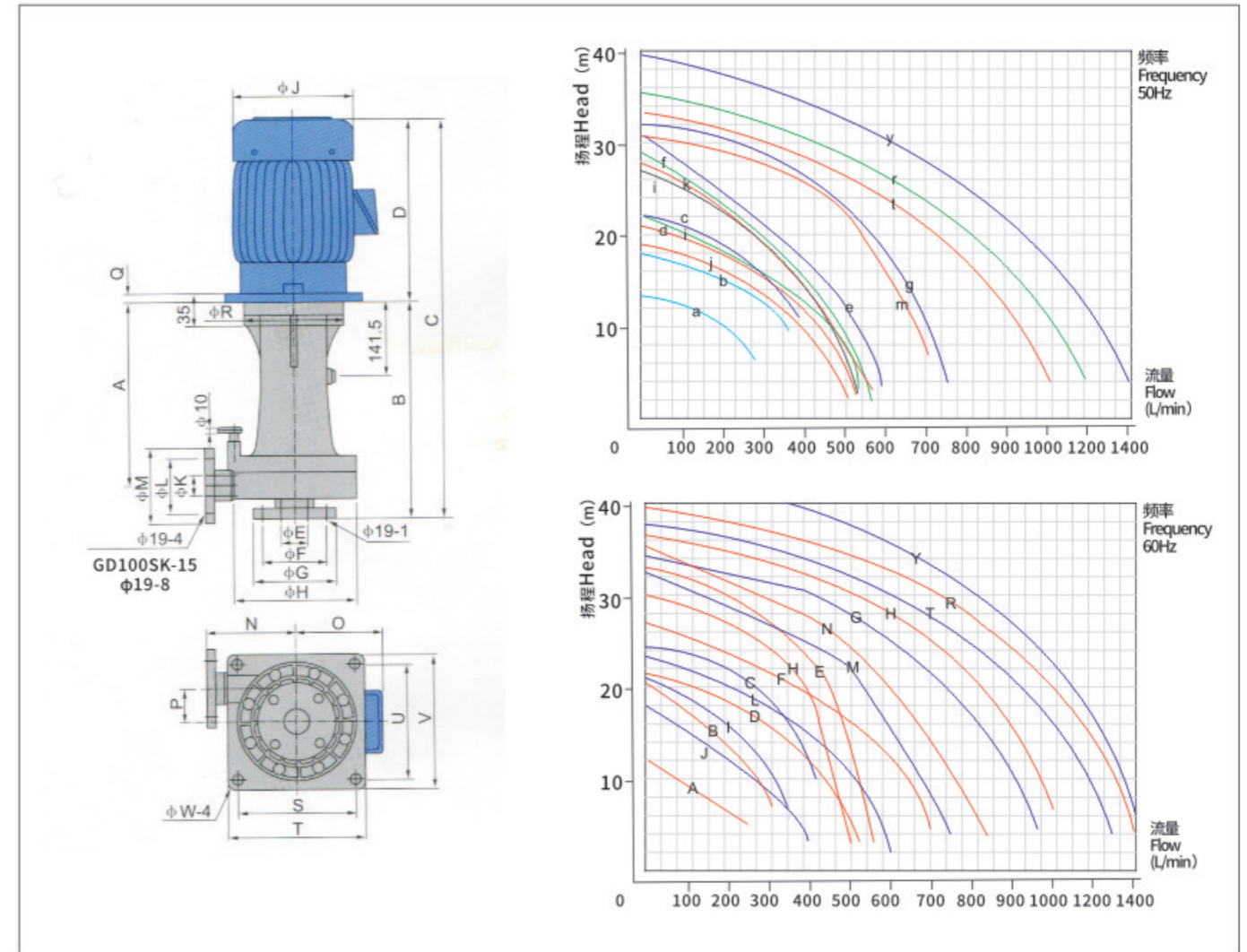
⑤ 频率 Frequency	5:50HZ 6:60HZ
⑥ 橡胶材质 Rubber Material	N:丁晴橡胶NBR E:三元乙丙EPDM V:氟橡胶VITON G:GFRPP
⑦ 泵体材质 Pump Material	G:GFRPP C:CFRPP A:CPVC P:PVDF
⑧ 附注 Notes	B-采用GFRPP材质之马达连接座 Motor spacer is GFRPP

规格表 Specifications

测试液体: 水, 比重: 1.0 Testing Fluid: Water, Specific Gravity 1.0

型号 Model	比重 Specific Gravity	进出口径 In-outlet (mm)	马力 Power			50HZ			60HZ			重量 Weight (kg)
			相数 Phase	HP	极数 Poles	曲线 NO	扬程 Head(m)	流量Flow (L/min)	曲线 NO	扬程 Head(m)	流量Flow (L/min)	
GD-40SK-1	1.1	50×40	3	1	2	a	14	280	A	13	250	29
GD-40SK-2	1.1	50×40	3	2	2	b	18	400	B	22	320	38
GD-40SK-3	1.1	50×40	3	3	2	c	22	450	C	26	420	41
GD-50SK-3	1.1	65×50	3	3	2	d	21	530	D	23	520	41
GD-50SK-5	1.1	65×50	3	5	2	e	31	580	E	36	560	55
GD-65SK-5	1.1	80×65	3	5	2	f	29	550	F	29	700	55
GD-65SK-7.5	1.1	80×65	3	7.5	2	g	32	780	G	36	560	55
GD-65SK-10	1.1	80×65	3	10	2	g	32	780	H	39.5	1100	106
GD-100SK-15	1.1	100×100	3	15	2	r	36	1660	R	40	1800	123
GD-100SK-20	1.1	100×100	3	20	2	y	40	1750	Y	44	1900	133
GD-40SP-3	1.4	50×40	3	3	2	i	22	400	I	19	340	41
GD-50SP-3	1.4	65×50	3	3	2	j	19	500	J	32	400	41
GD-50SP-5	1.4	65×50	3	5	2	k	19	560	K	32	500	55
GD-65SP-5	1.4	80×65	3	5	2	l	28	520	L	25	600	55
GD-65SP-7.5	1.4	80×65	3	7.5	2	m	31	750	M	35	750	95
GD-65SP-10	1.4	80×65	3	10	2	m	31	750	N	38	850	106
GD-100SP-15	1.4	100×100	3	15	2	t	34	1100	T	38	1300	123

安装尺寸 Installation dimensions



型号 Model	A	B	C	D	E	F	G	H	I	J	K	L	M	N	O	P	Q	R	S	T	U	V	W
GD-40SK/SP-1	350	425	710	285	50	120	155	230	4	177	40	105	145	170	155	65	16	186	222	260	222	260	15
GD-40SK/SP-2	350	425	755	330	50	120	155	230	4	200	40	105	145	170	165	65	16	186	222	260	222	260	15
GD-40SK/SP-3	350	425	755	330	50	120	155	230	4	200	40	105	145	170	165	65	16	186	222	260	222	260	15
GD-50SK/SP-3	350	425	755	330	65	140	177	260	4	200	50	120	155	200	165	65	16	186	222	260	222	260	15
GD-50SK/SP-5	350	425	795	370	65	140	177	260	4	238	50	120	155	200	180	65	16	186	222	260	222	260	15
GD-65SK/SP-5	350	425	795	370	78	150	190	260	8	238	65	140	177	200	180	65	16	186	222	260	222	260	15
GD-65SK/SP-7.5	350	425	865	440	78	150	190	260	8	273	65	140	177	200	240	65	20	186	300	350	300	350	18
GD-65SK/SP-10	350	425	865	440	78	150	190	260	8	273	65	140	177	200	240	65	20	186	300	350	300	350	18
GD-100SK/SP-15/20	357	436	976	540	100	175	205	290	8	323	100	175	205	217	240	88	20	186	300	350	300	350	18